

1) The SHAWTRONICSUSA SOIC probes are designed to easily and precisely fit to the IC and giving precise test results and automatic alignment of the test pins to the IC legs , while keeping the spring loaded pins in place for testing.

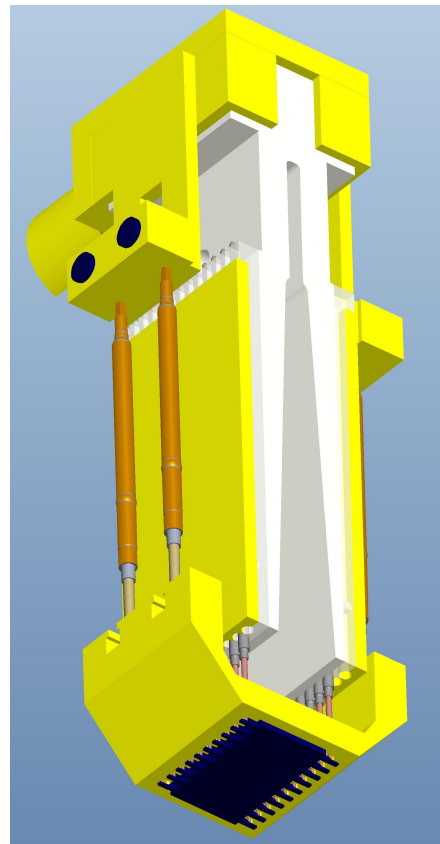
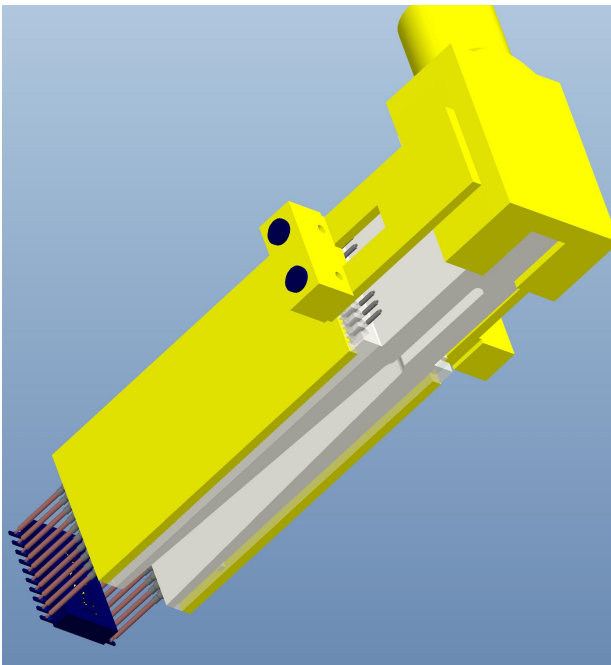
2) Setup for testing, using these test probes with the ABI Boardmaster for performing Power Off VI testing or Power on testing With the Boardmaster, is just a matter of attaching the probes connectors to the test equipment and then place the probe on the SOIC being tested, making sure the Guide plate is in place. Then to exert force with the gantry to achieve connectivity when the pins are making contact with the IC legs and having pierced through the coatings or contamination, ensuring very reliable readings and test results , **with very little effort.**

3) They Eliminate the requirement to perform the task of removing the conformal coating from the circuit board, thus saving time and material as well as preventing damage to the circuit board by having to remove the coatings before testing can be performed.

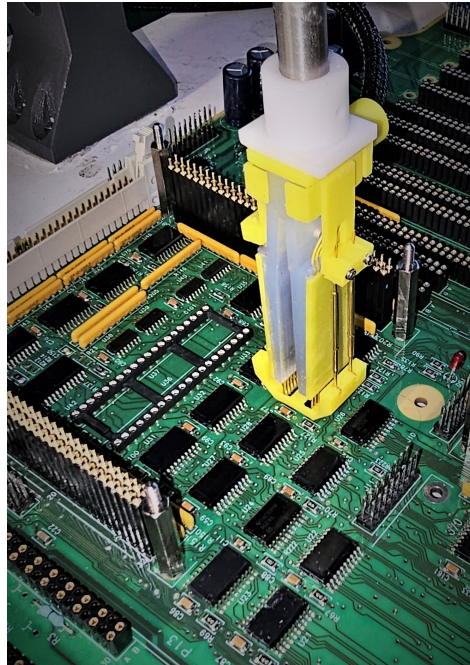
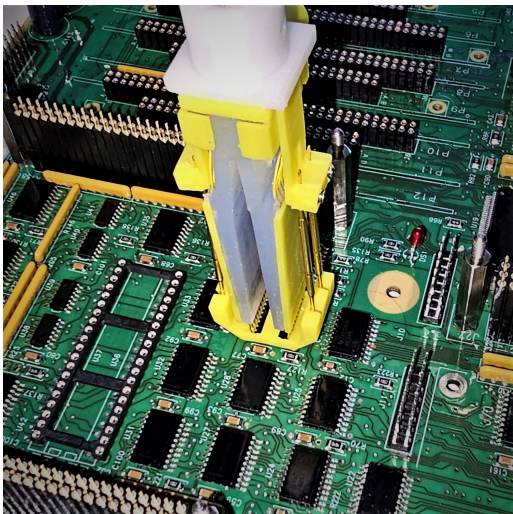
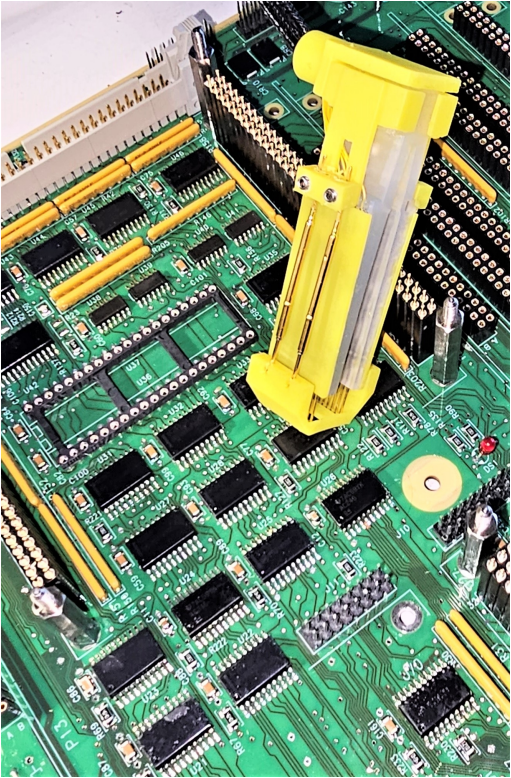
4) The probes are available for any size SOIC.

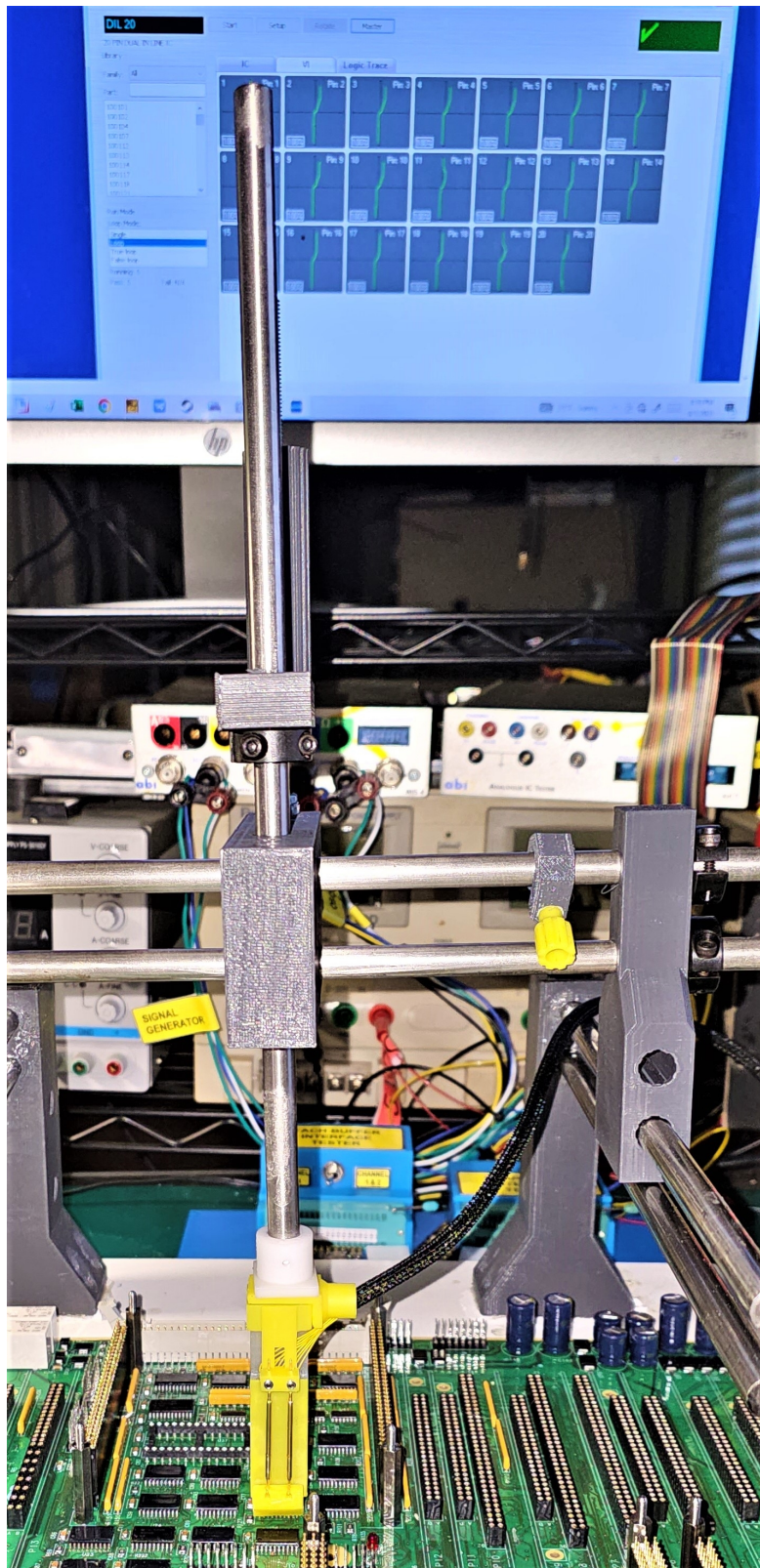
5) The following pictures will show the ease of use.
Showing a 20 pin SOIC and a 16 pin soic in use.

A) Cad design of a 20 pin SOIC probe



B) SOIC 20 PIN PROBE being used to test the 20 pin SOIC on a circuit board with the conformal coating still intact





C) SOIC 16 pin probe to test these TLP281-4 SOIC Opto Couplers

